

User manual for SISO invisible Mifare1 lock



| | |
|--|-------|
| 1. PRODUCT APPEARANCE | - 1 - |
| 1.1. LOCK BODY APPEARANCE | - 1 - |
| 2. PRODUCT DIMENSIONS | - 2 - |
| 2.1. LOCK BODY DIMENSIONS | - 2 - |
| 2.2. STRIKER DIMENSIONS | - 2 - |
| 2.3. INSTALLATION DIMENSIONS | - 3 - |
| 3. INSTALLATION EXAMPLES | - 4 - |
| 4. PRODUCT FUNCTIONS | - 5 - |
| 4.1 FUNCTIONS & FEATURES: | - 5 - |
| 4.2. PARAMETERS | - 6 - |
| 5. OPERATION | - 6 - |
| 5.1. LOCK RESETTING | - 6 - |
| 5.2. LOCK MODES | - 6 - |
| 5.3. CHANGE LOCK MODES | - 7 - |
| 5.4. SETTING CARDS & KEY FOBS | - 7 - |
| 5.5. CHANGE KEY MODE | - 8 - |
| 5.6. ALARM FUNCTION (ONLY PRIVATE MODE) | - 8 - |

1. PRODUCT APPEARANCE

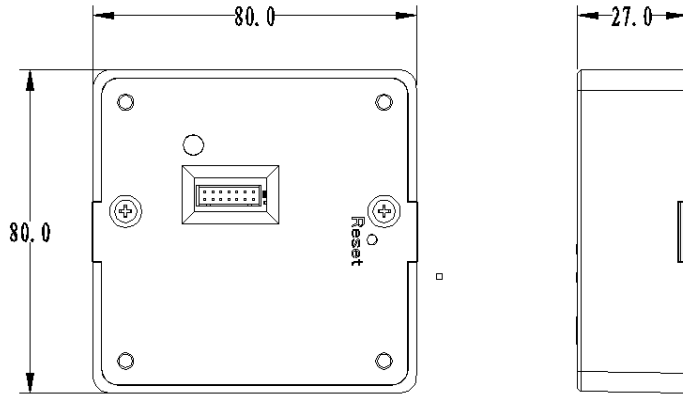
1.1. Lock body appearance

Item No. 14.60.280-0 Invisible Mifare1 Lock (13,56MHz), 80x80x27mm, Black ABS, No Batteries



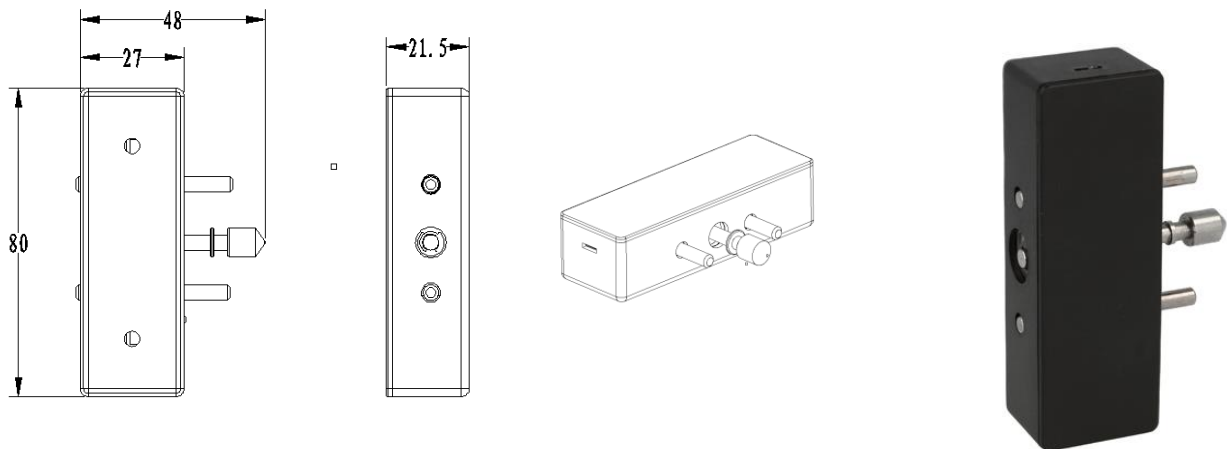
2. PRODUCT DIMENSIONS

2.1. Lock body dimensions

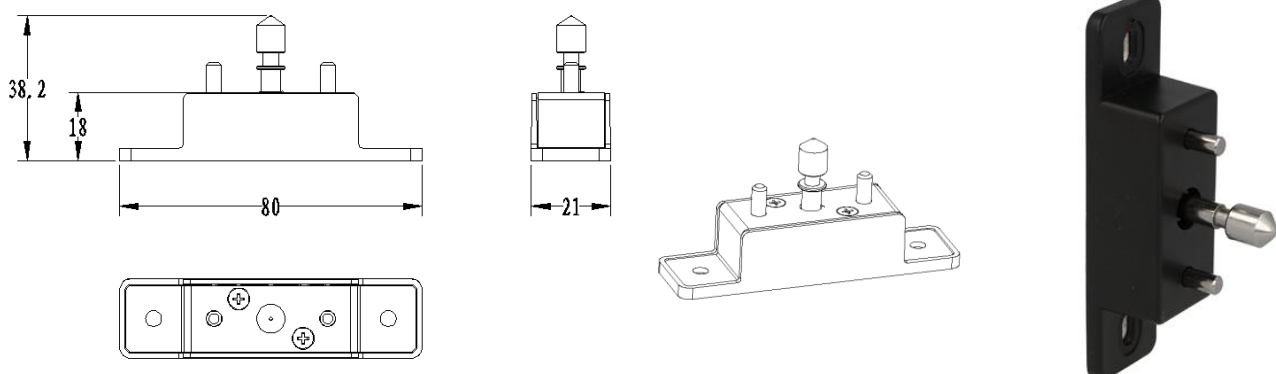


2.2. Striker dimensions

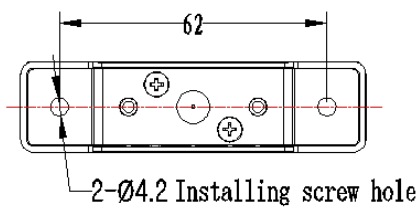
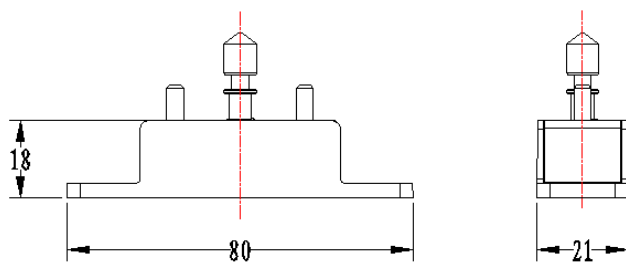
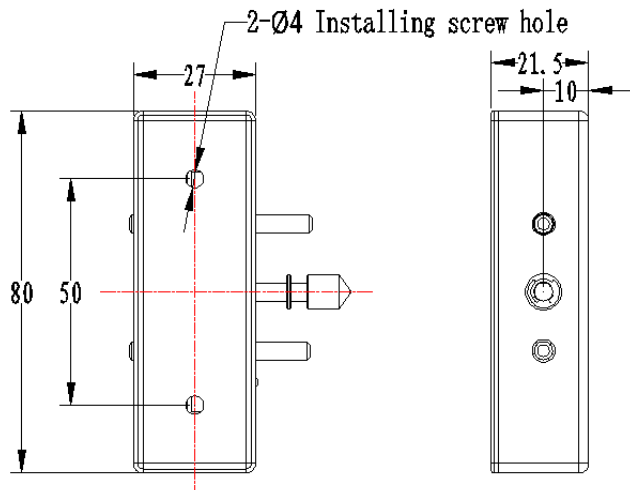
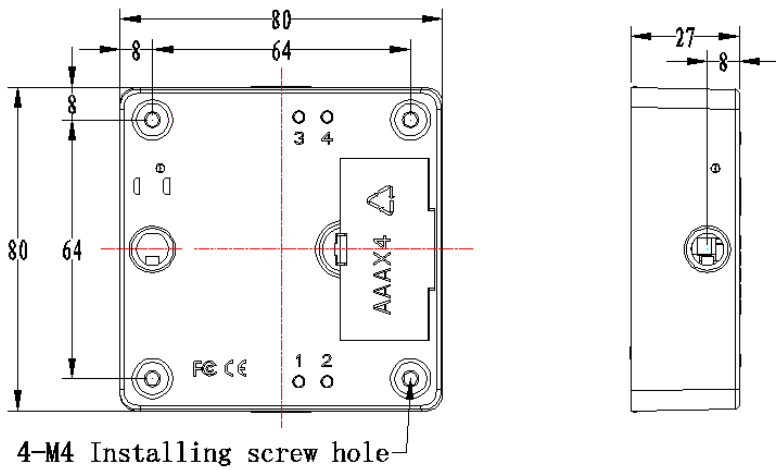
Item No. 14.60.285-0 Striker, PTO, F/Cabinet Doors, 80x27x21,5 mm, Steel/Black ABS



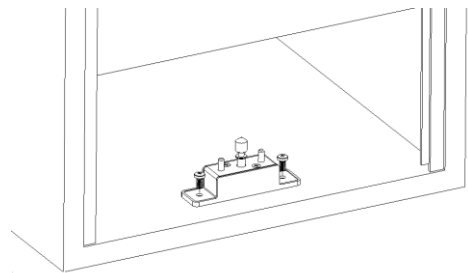
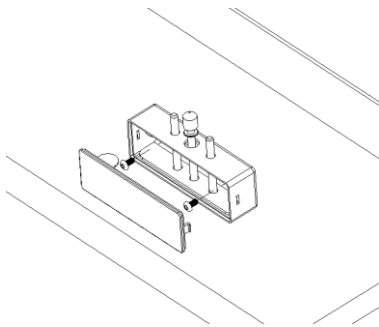
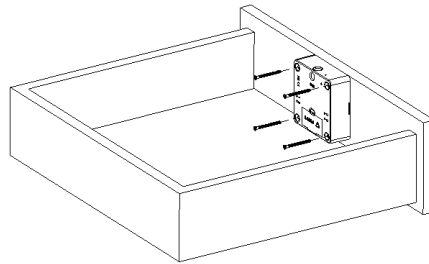
Item No. 14.60.286-0 Striker, PTO, F/Sliding Doors, 80x21x18mm, Steel/Black ABS



2.3. Installation dimensions



3. INSTALLATION EXAMPLES



4. PRODUCT FUNCTIONS

4.1 Functions & features :

| Functions | Features |
|---------------------|--|
| Sound prompt | Lock will make sound when battery has low voltage, correct/wrong key is swiped or unlocking for a long time |
| Light prompt | Green: means correct |
| | Red: means incorrect |
| | Blue: means low voltage |
| | White: standby condition |
| Low voltage warning | When battery's voltage is lower than 4.5V, light will flash in blue and lock prompts "beep-beep" to remind the user to change batteries |
| | Lock can normally work 1000 times after low voltage warning |
| Lock alarm warning | Alarm will be activate if the lock is not closed/slammed within 30 sec. Alarm will stop after 10 sec. |
| | Lock alarm warning function only exists in Private mode. |
| Double key unlock | Factory setting: single key, public mode |
| | Use Service Card in combination with User Key Fob to open the lock. |
| Blocking function | If you swipe wrong User Key Fob, the lock will flash red twice and prompt a "beep-beep". If you swipe wrong User Key Fob 5 times in a row, the lock will be unavailable for 5 mins. You can use the Master Card to make it available. During unavailable period, if you swipe any card lock the lock will prompt a "5 x beep" and the light flashes red. After 5 mins. the lock will be available again. |
| Master Card | Master card is used for programming User Key Fobs & Service card. Under public mode, the Master Card can be used for unlocking. |
| Delete card | Delete card is used for deleting User Key Fobs and Service Card. Swipe it and you delete all User Key Fobs and Service Cards. You cannot delete the Master Card with the Delete Card. You cannot unlock the lock with the Delete Card. |

4.2. Parameters

| | |
|---------------------|---------------------------------------|
| Material | ABS for lock body shell |
| Power consumption | Static power consumption <100uA |
| | Dynamic power consumption <200mA |
| Working voltage | DC6V(AA 1.5V×4pcs) |
| | Can be used for around 1 year |
| Working environment | Working temperature -15DG C ~ +65DG C |
| | Working humidity 10% ~ 90%RH |
| Anti-static | Air static 15KV |
| | Touch static 8KV |

5. OPERATION

5.1. Lock resetting

| Items | Operation |
|-----------|--|
| Resetting | Keep pressing “reset” button for 2 sec. Lock will prompt a “beep-beep-beep” and light flashes green twice. Reset has been completed successfully |





5.2. Lock modes

| | |
|---|--|
| Public mode (factory setting) (lock is unlocked) | Swipe any User Key Fob and slam the door within 5 sec. to close the lock. Then lock can only be unlocked by the same User Key Fob or Master Card. |
| Private mode (lock is locked) | Need to program User Key Fob, Service Card and Delete Card with the Master card before using. Swipe programmed User Key Fob to unlock the lock. It will be locked automatically 3 sec. later. |
| Office mode (lock is locked) | Need to program User Key Fob, Service Card and Delete Card with the Master card before using. Swipe programmed User Key Fob to unlock the lock. Swipe programmed User Key Fob to close the lock again. |

5.3. Change lock modes

| | |
|-------------------------------|---|
| Public mode (factory setting) | Keep pressing button “3” for 1 sec. The lock prompts a “beep” and light flashes once. Now the lock is in public mode. |
| Private mode | Keep pressing button “3” for 1 sec. The lock prompts a “beep-beep” and light flashes once. Change to private mode successfully. Now the lock is in private mode. |
| Office mode | Keep pressing button “3” for 1 sec. The lock prompts a “beep-beep-beep” and light flashes twice. Now the lock is in office mode. |

5.4. Setting cards & Key Fobs

| Items | Operation |
|---|--|
| Set Master Card  | Keep pressing button “1” for 1 sec. Lock will prompt a “beep” and light flashes green. Swipe a card. It will prompt a “beep” and light keeps lighting green for 1 sec. This card is now the Master Card. |
| Set Delete Card  | Keep pressing button “2” for 1 sec. The lock will prompt a “beep” and light flashes green. Swipe a card, It will prompt a “beep” and light keeps lighting green for 1 sec. This card is now the Delete Card. |
| Set User Key Fob  | Swipe Master Card and the lock will prompt a “beep” and light will flash green. (during green light flashing, you can program multiple User Key Fobs) Swipe any User Key Fob. If lock prompts a “beep” and light keeps lighting green for 1 sec, this Key Fob is the User Key Fob. If lock prompt a “beep-beep” and light flashes red programming of User Key Fob has failed. |
| Set Service Card (Double key mode only)  | Swipe Master Card twice. The lock will prompt a “beep” and light flashes green slowly. (during green light flashing, you can program multiple Service Cards) Swipe an empty card. If lock prompt a “beep” and the light flashes green for 1 sec, this card is the Service Card. If lock prompt a “beep-beep” and light flashes red programming of the Service Card has failed. |
| Note: One lock can have at most 50 cards. | |

5.5. Change Key mode

| | |
|-----------------------------------|---|
| Single key mode (factory setting) | Keep pressing button “4” for 1 sec. The lock prompts a “beep” and light flashes once. Lock is now in single mode. |
| Double key mode | Keep pressing button “4” for 1 sec. The lock prompts a “beep-beep” and light flashes twice. Lock is now in double key mode. |

5.6. Alarm function (only private mode)

| | |
|---|---|
| Activate alarm function (factory setting) | Press button “1” & “2” at the same time. The lock will prompt a “beep” and light will flash green once. Alarm function is activated. |
| De-activation of alarm function | Press button “1” & “2” at the same time. The lock will prompt a “beep-beep” and light will flash green twice. Alarm function is de-activated. |