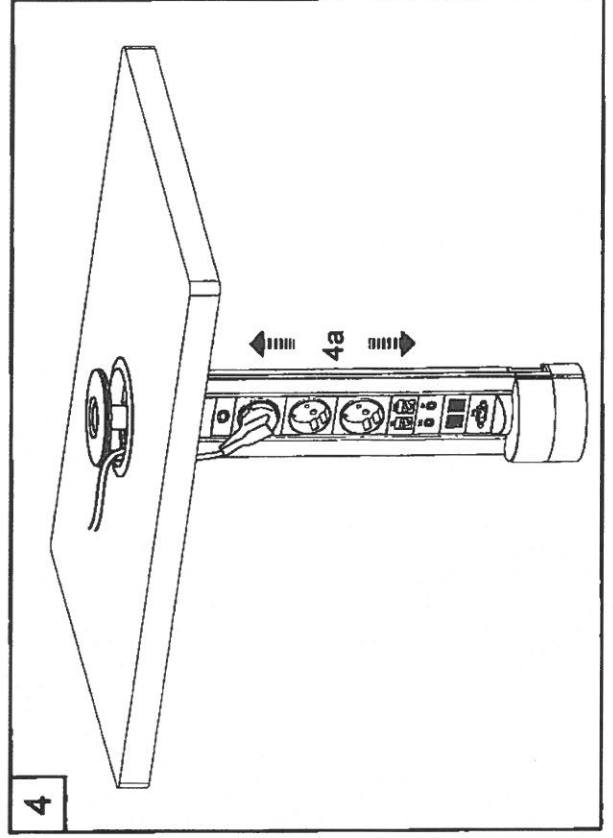
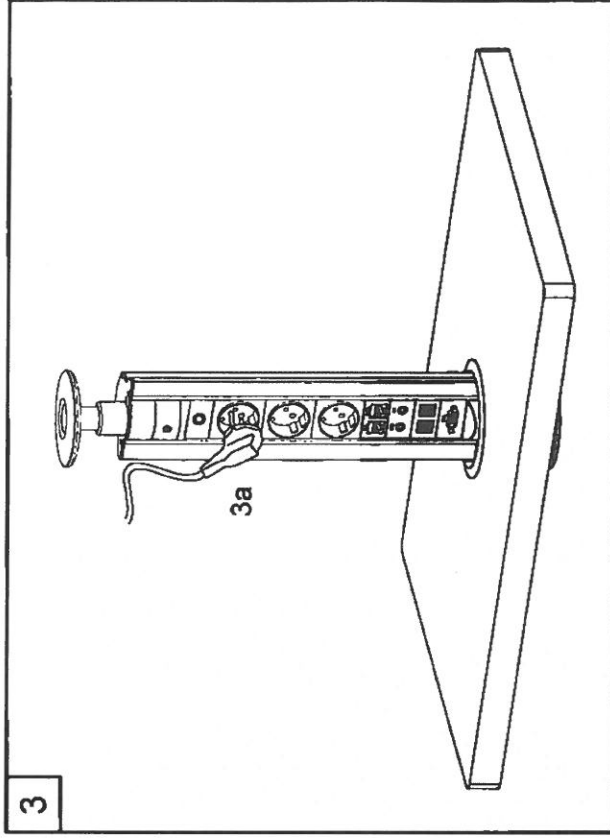
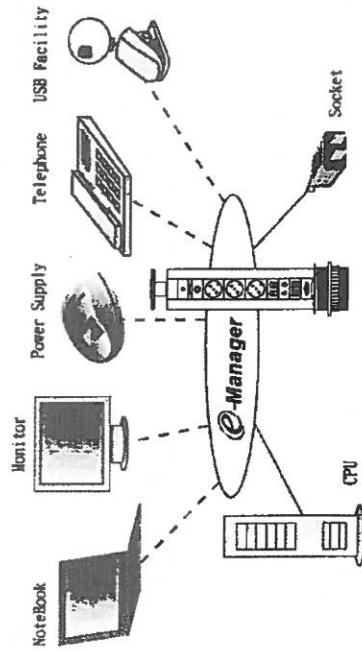
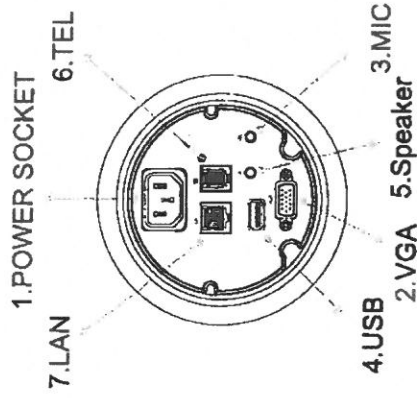
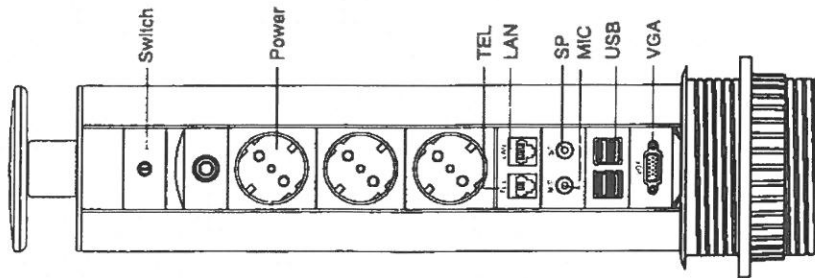
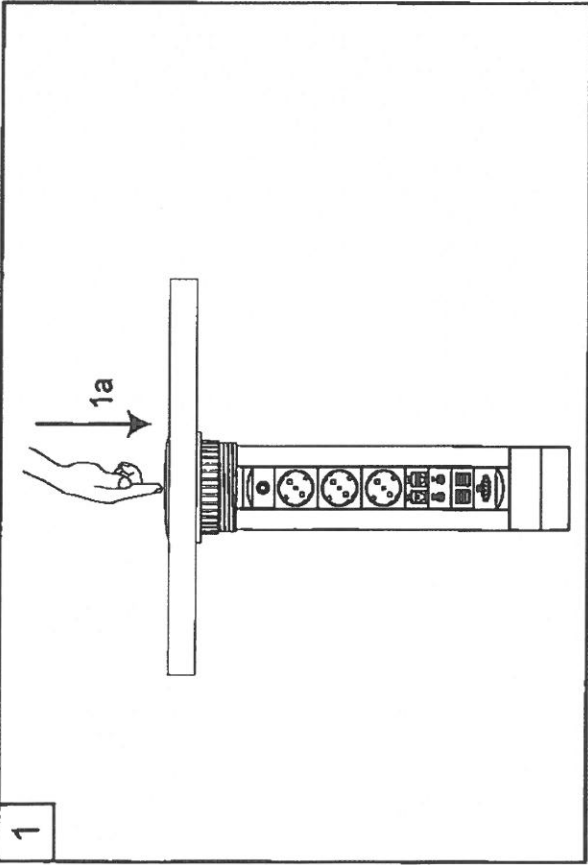


■ Temperature: 0°C~35°C Rating: 240V~, 50Hz, 5A

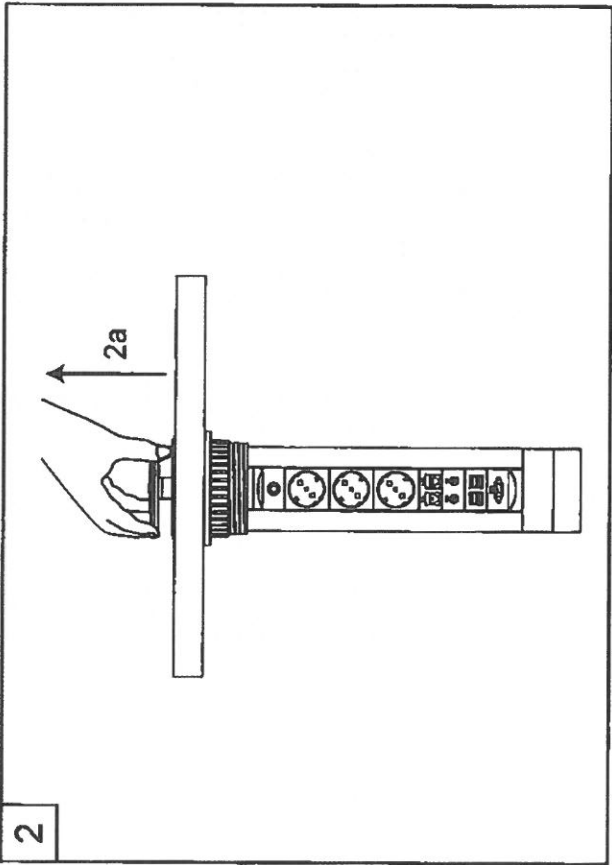


■ Documentation

1



2



	<p>SWITCH : ON/OFF switch illuminated with two red dots</p>
	<p>SOCKET : AC 240V/50HZ, 5A 1200W</p>
	<p>TEL/LAN : Computer connection interface for 4-pin Telephone / 8-pin Line</p>
	<p>USB : Connection of standard commercial four USB-appliances</p>
	<p>MIC : Computer connection interface for 3.5EX Speaker / Microphone</p>
	<p>VGA : Computer connection VGA 15-pin HDD jack Monitor</p>
	<p>Miniature Circuit Breaker</p>

■ Installation

