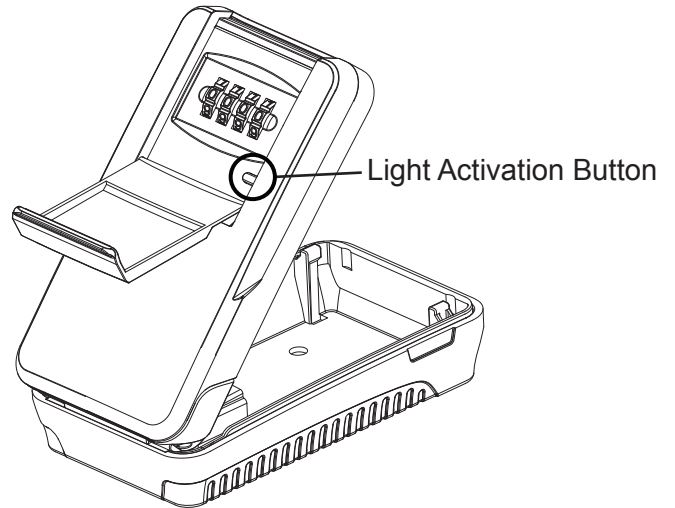
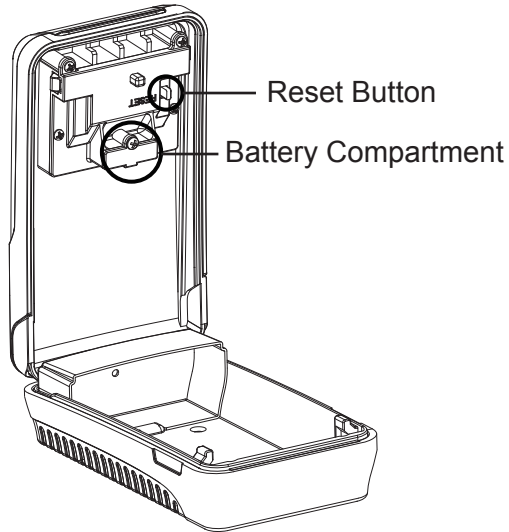


# INSTALLATION INSTRUCTIONS



## Lock Box Installation

### Wall-Mounted

1. Unlock the Lock Box.
2. Drill holes on a wall.
3. Hammer the screw anchors into the holes and mount the Lock Box on the wall with the screws.

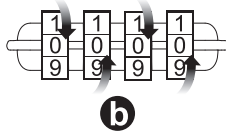
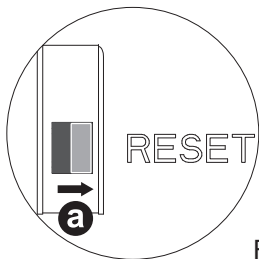
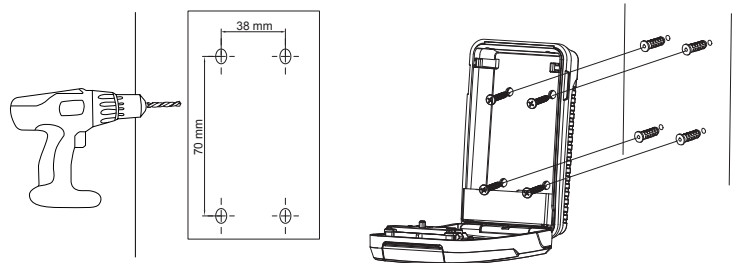


Fig.A

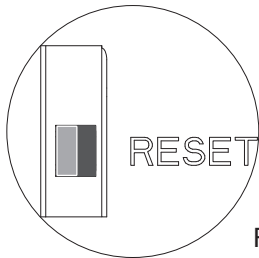


Fig.B

## Reset Combination

1. Turn the dials to the preset code 0-0-0-0.
2. Press and Hold the Reset Button, and scramble the dials to set your own combination. (Fig.A)  
**Do not let go the Reset Button while setting the dials.**
3. Release the Reset Button to its original position.(Fig.B)  
Your personal combination is now set.

※ Keep your combination in a safe and accessible place for future reference.

## Insert the Battery

1. Loosen the screw on the battery compartment.
2. Pull out battery compartment and install new CR2032 battery.
3. Tighten the screws on the battery compartment.

