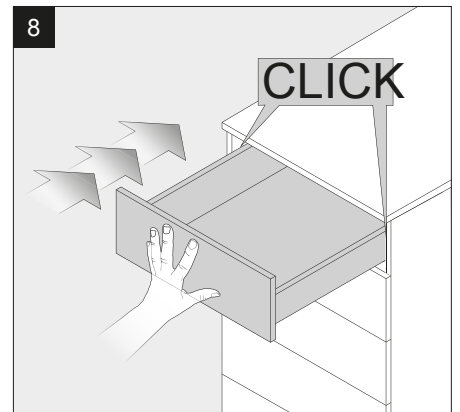
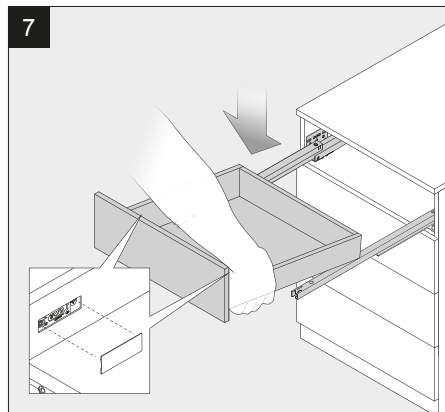
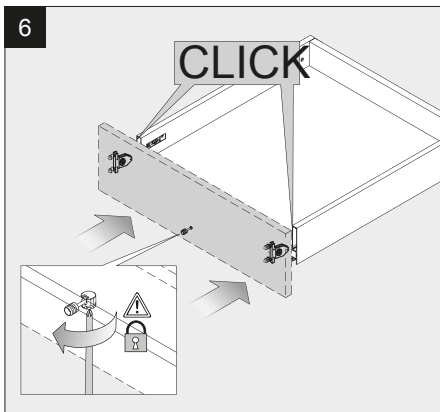
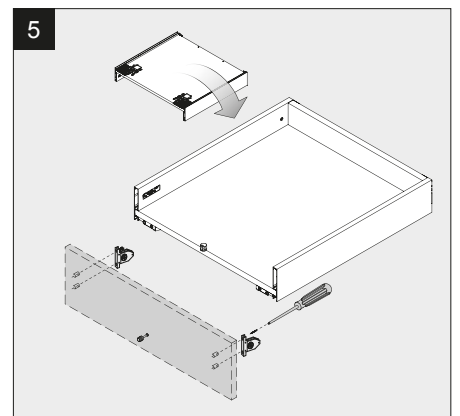
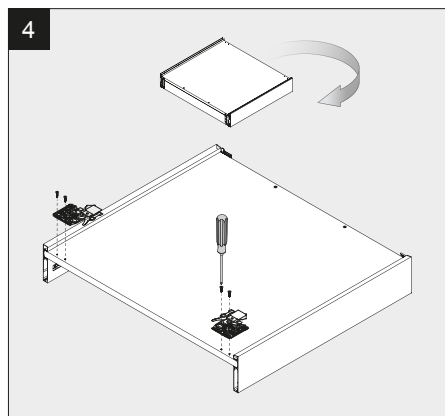
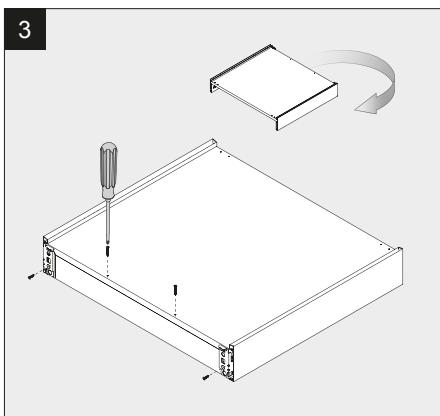
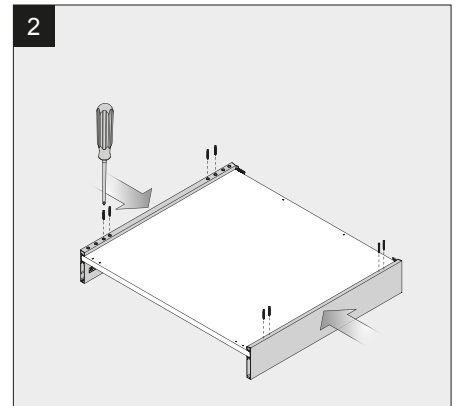
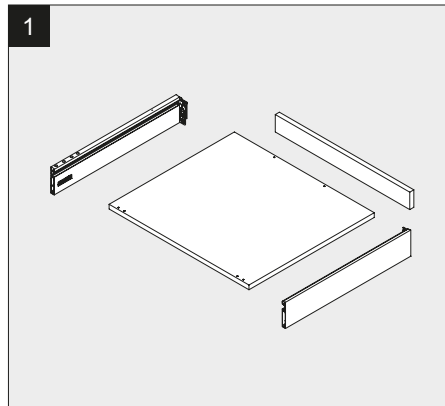
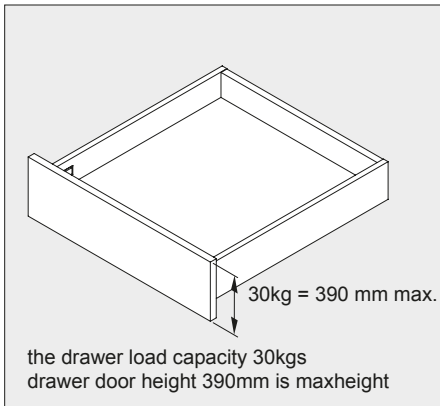


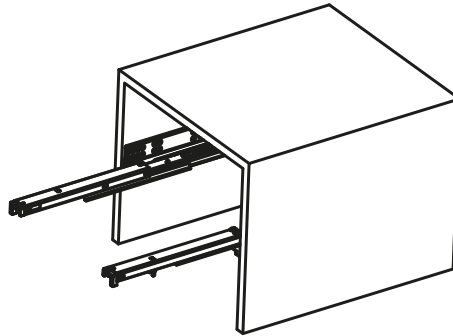
TENDER BOX INSTALLATION INSTRUCTION

- high quality furniture fittings

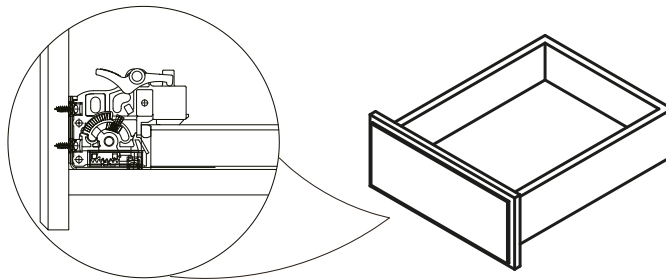


TENDER BOX INSTALLATION INSTRUCTION

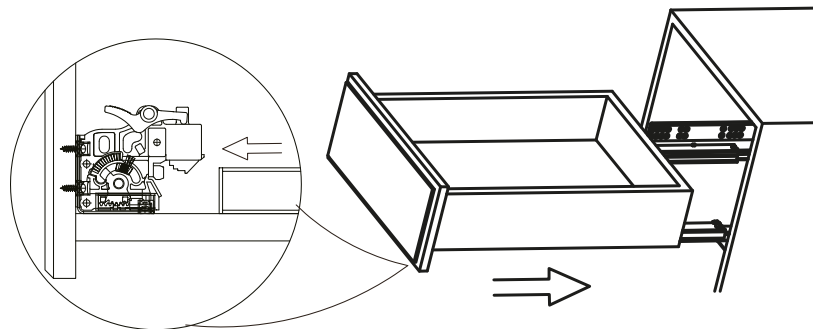
- 1) Please install the drawer and slide well and keep the slide full extension outside the drawer.



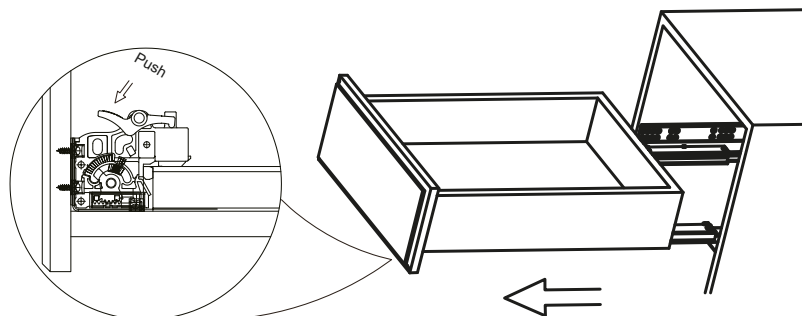
- 2) The connecting link be installed on the bottom of the drawer.



- 3) Please put the drawer flat on the slide and close the drawer completely. When the slide be connected with the connecting link, then the installation to be finished.



- 4) Press the connecting link then you can take out the drawer.



SISO A/S