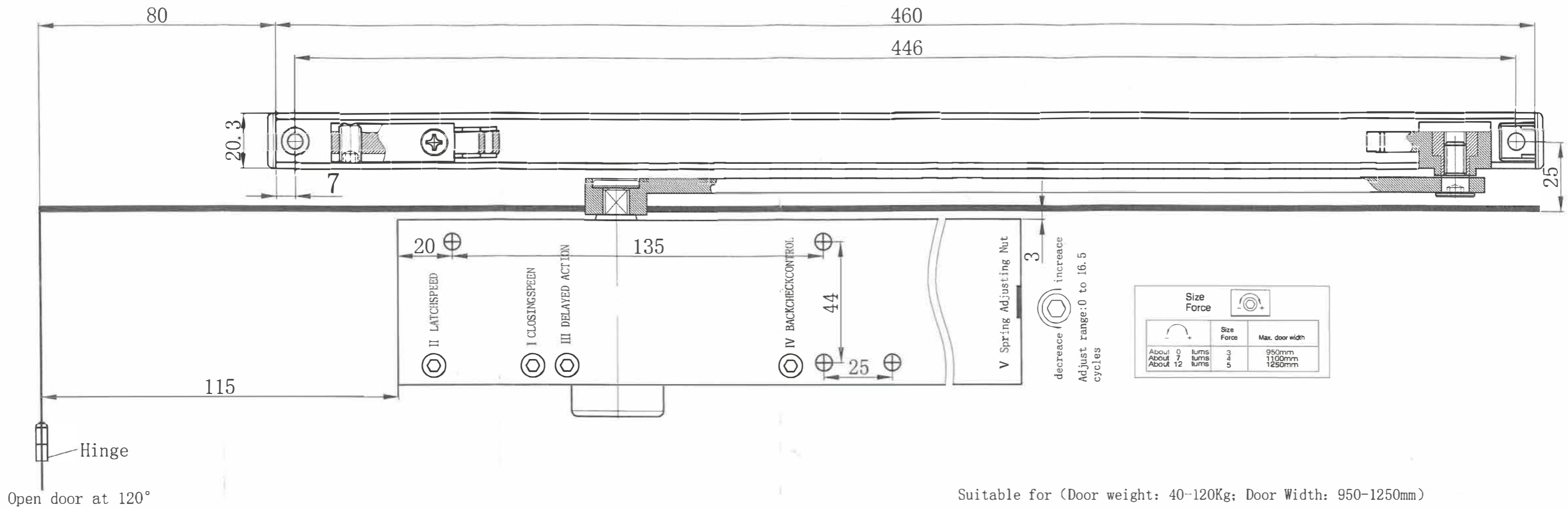


■ Installation drawing and dimension for slide rail



I. The steps of Sliding Arm installation:

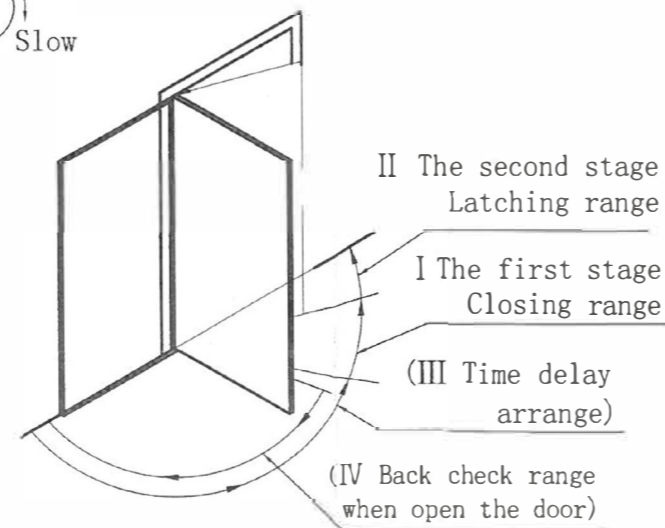
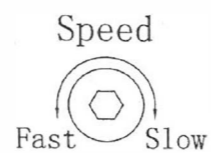
1. According to the template, fixed the door closer main body and sliding rail respectively on the door and door frame by screws (Installation for metal door, drill holes first).
2. Install the arm on the shaft at 45 degree between the arm and the door closer main body, then fasten the screw.
3. Open the door at a certain degree, then rotate the arm to install the arm to the sliding rail by connector screw.
4. According to the certain hold open degree, lock up the lock lot at the corresponding position of the sliding rail.
5. Install the ornamental panel, then put dustproof cap on the other end of the gear shaft.

II. Adjust the speed of the door closer:

1. I is Closing speed regulation valve. II is latching speed regulation valve. III is time delay regulation valve. IV is back check regulation valve. V is power adjustment nut.
2. Counter-clockwise turning can make the speed faster. On the contrary, clockwise turning will make the speed slower.

III. Adjust the hold-open degrees:

1. Loosen the screw of the locking lot. Moving it to the required position, then tighten the screw.



IV. Notices:

1. Please don't rotate the direction of the square tenon of the gear before installing the door closer.
2. Please don't hit the square tenon of the gear hard when you install the arm.
3. Door closer can auto-close the door by themselves; extra efforts to close the door are not permitted.
4. Fasten all screws after half a month of use.
5. Pay attention to the speed regulation in the summer and winter seasons.
6. Please don't screw the regulating valve off the main body when you adjust the speed.