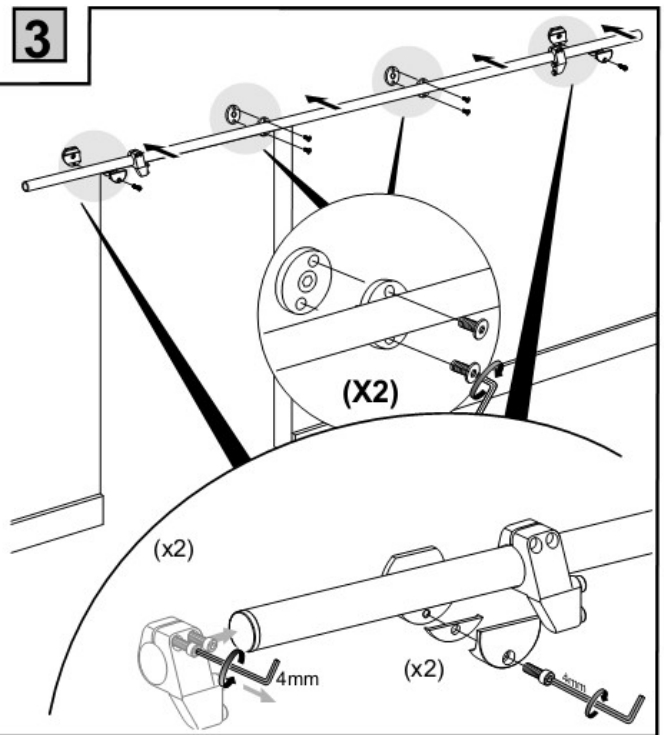
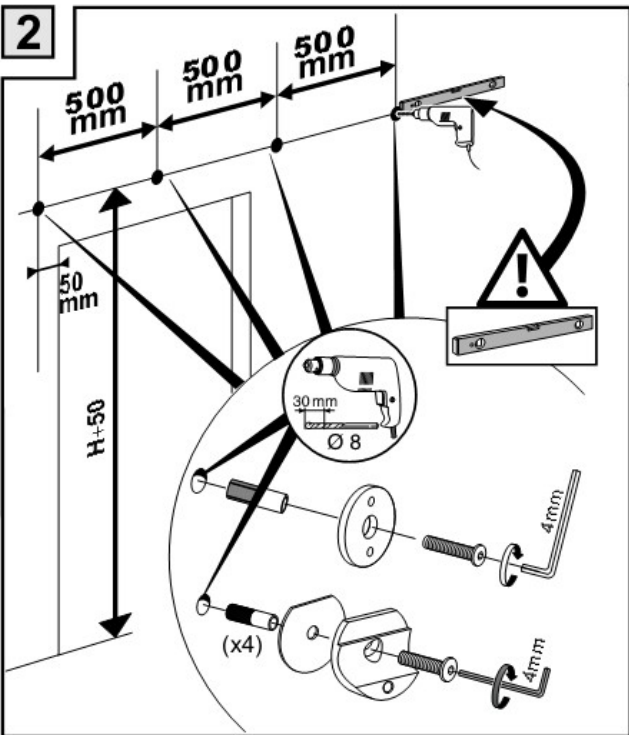
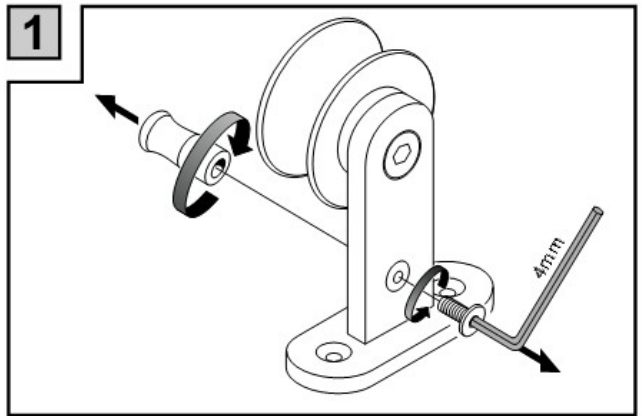
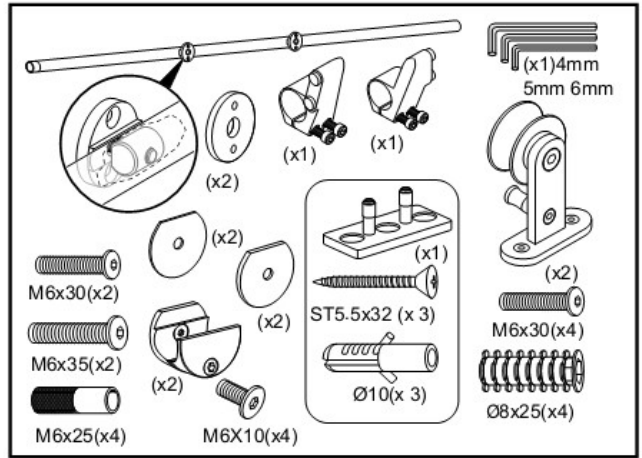
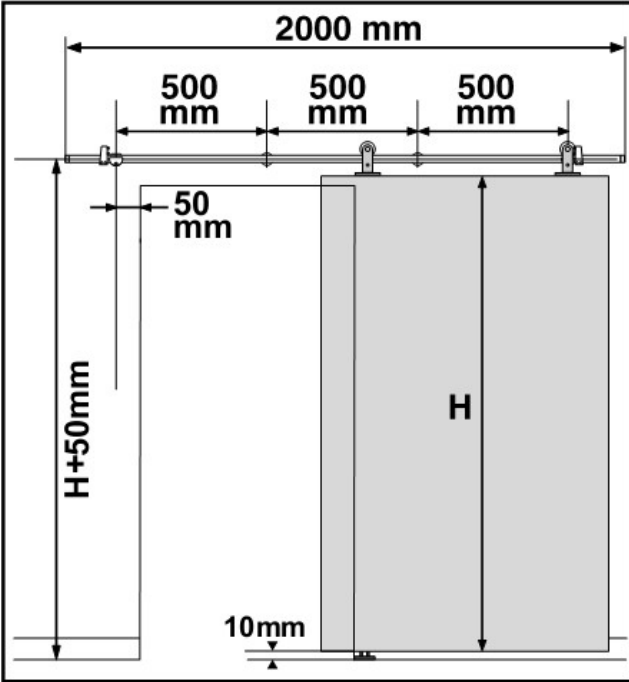
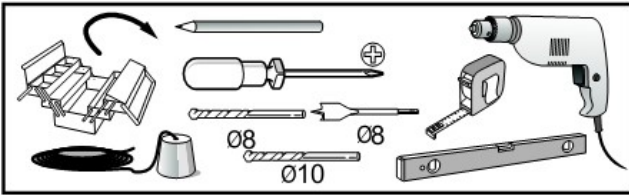
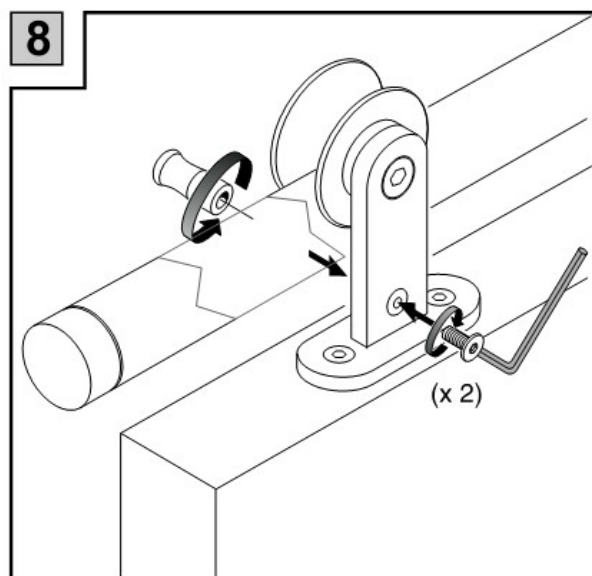
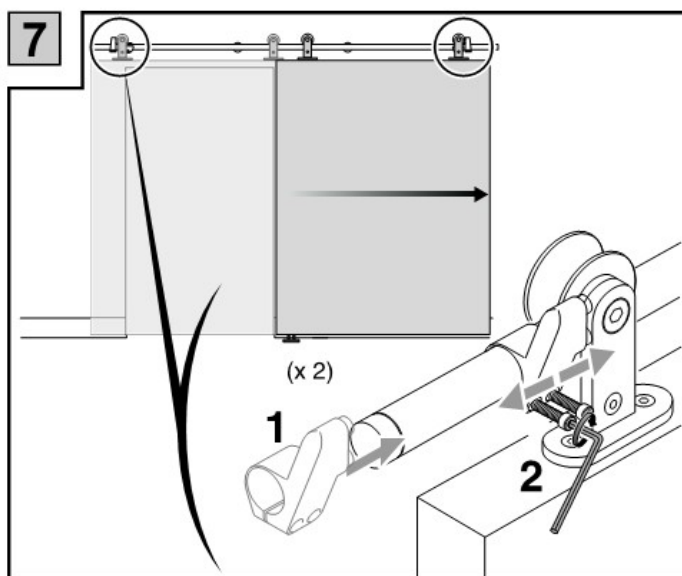
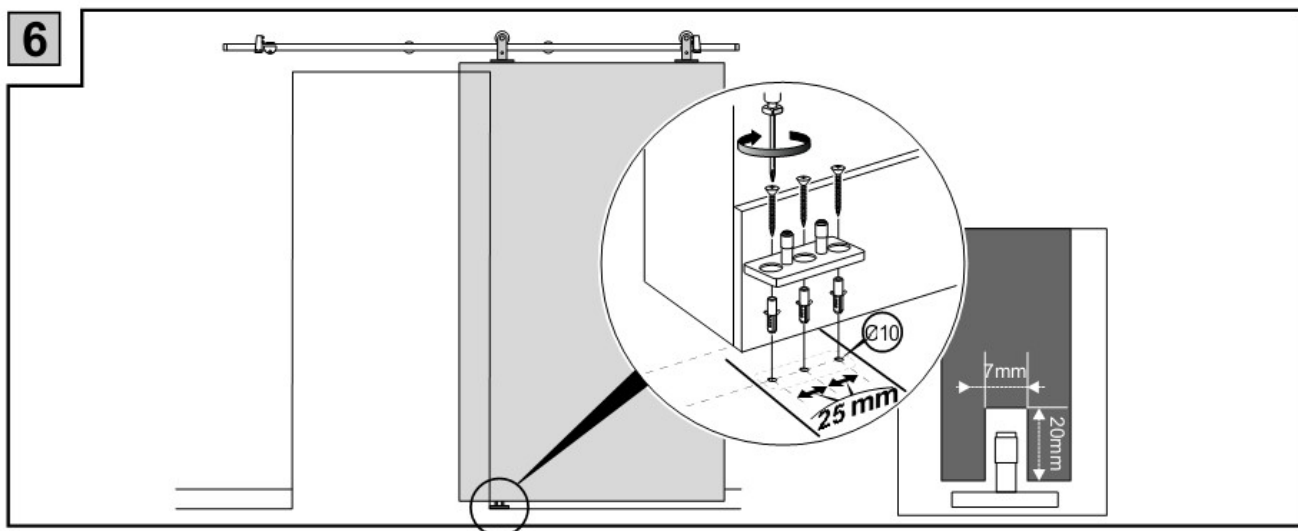
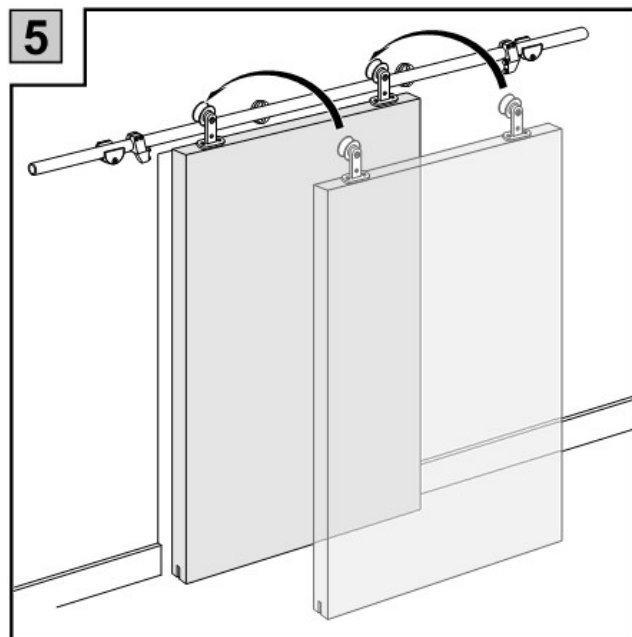
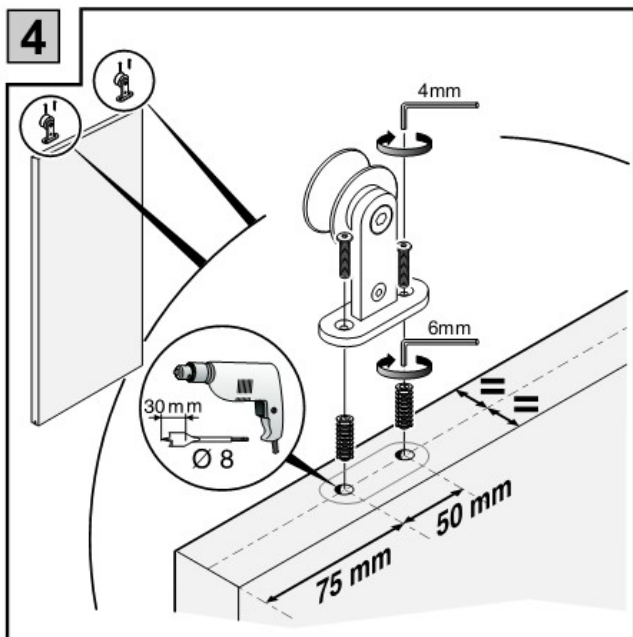
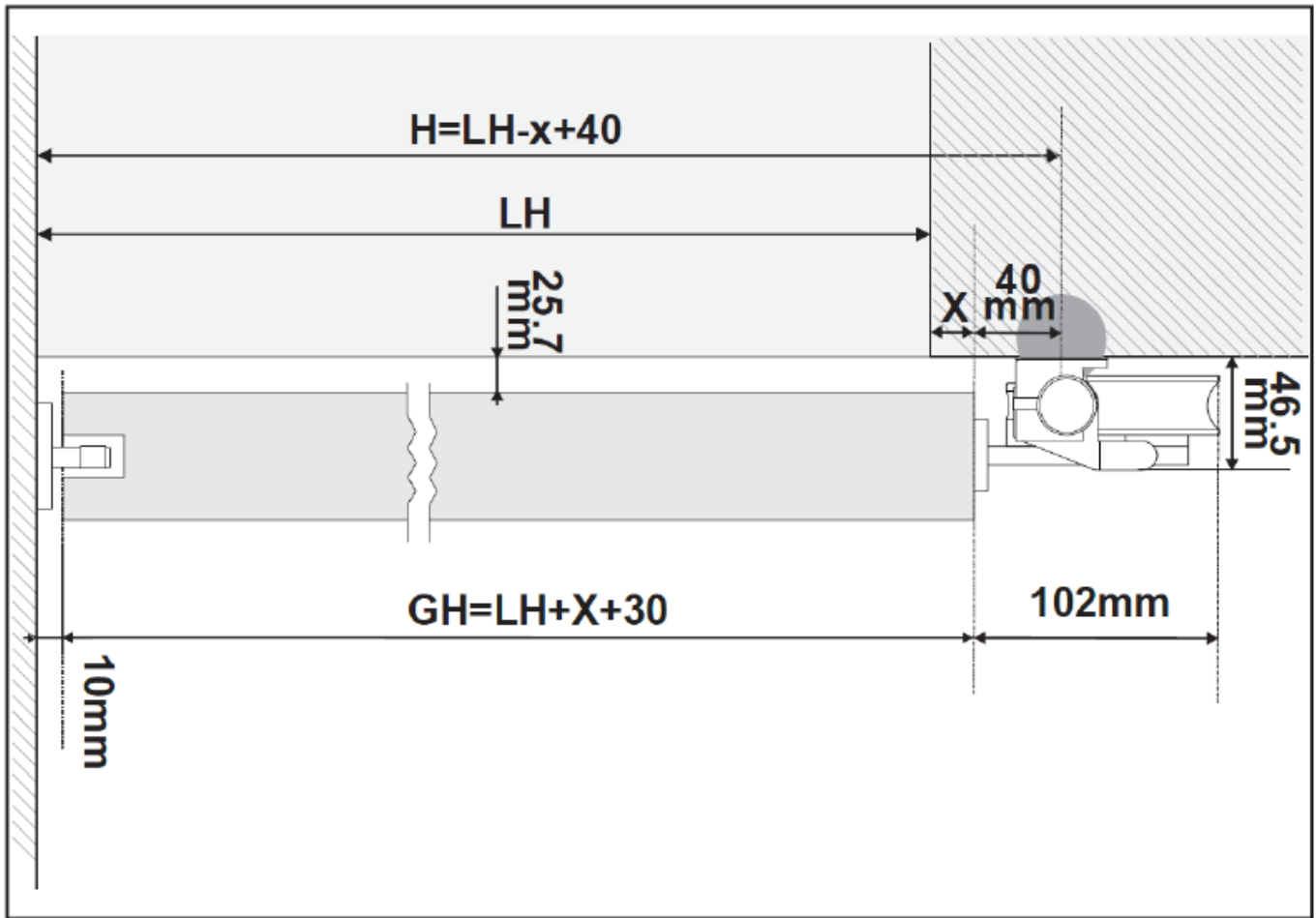


Installation manual







Features and Data 28.29.450-0

For installation with single wooden door panel or double (biparting) door panels; Wall-mounted.

For 35-45mm panel thickness.

Max.weight of door panel: 90 kg for single door,180 kg for double door;

Calculation of door height: $GH=LH+X+30$

Calculation of door width: $GW=LW+X+20$

GW = Door width

GH = Door height

H = Distance holes center for rail to ground

LH = Clear opening height

LW = Clear opening width

X = Distance door panel top side to opening upper side