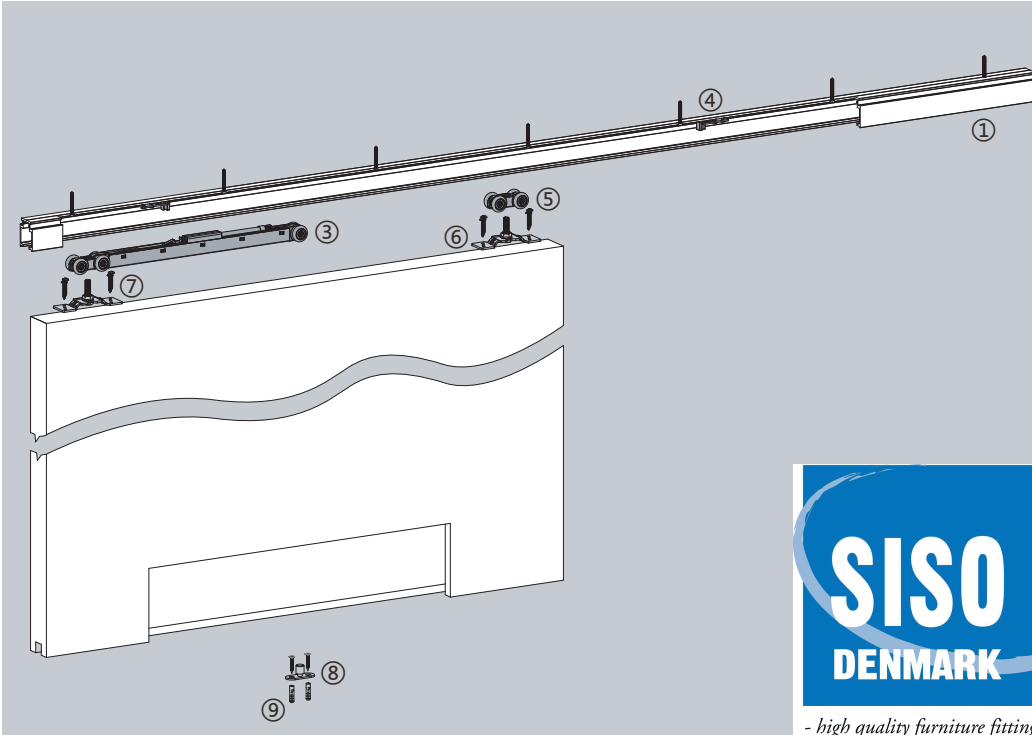


Bi-directional hanging door soft close(top-mounted)

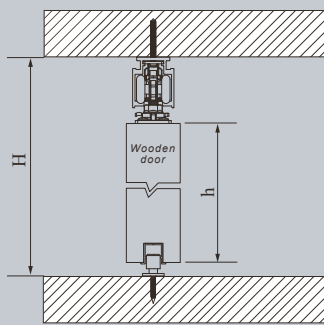


- ① The height of the door=The height of the door opening-63mm
- ② The min door width ≥ 550 mm
- ③ The max loading capacity is 35-60KG

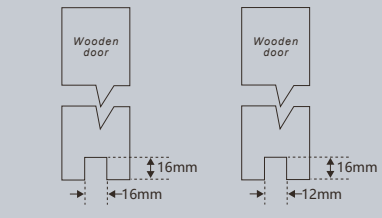
Pls make sure the interior of track is clean before installing. Using half wet cloth or compressed air gun to clean the track after installing. Or the sliding performance would be influenced. (This instruction manual mainly explain how to adjust the door up and down and the position adjustment of actuator. Other installation is the same as normally.)



Parts list	
①	X1 Top-track
③	X1 Soft close
④	X2 Actuator
⑤	X1 Wheel
⑥	X2 Metal piece X1 Wrench
⑦	X8 4x25 screw X7 self-tapping screw
⑧	X1 Floor guide
⑨	X2 Expansion pipe X5 4x20 screw

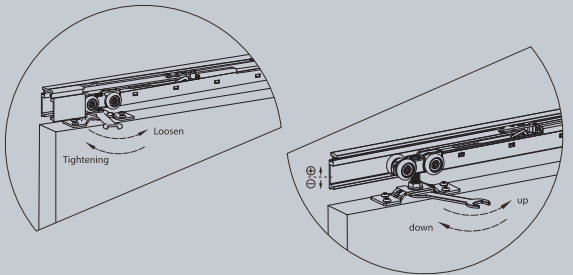


$h=H-63mm$

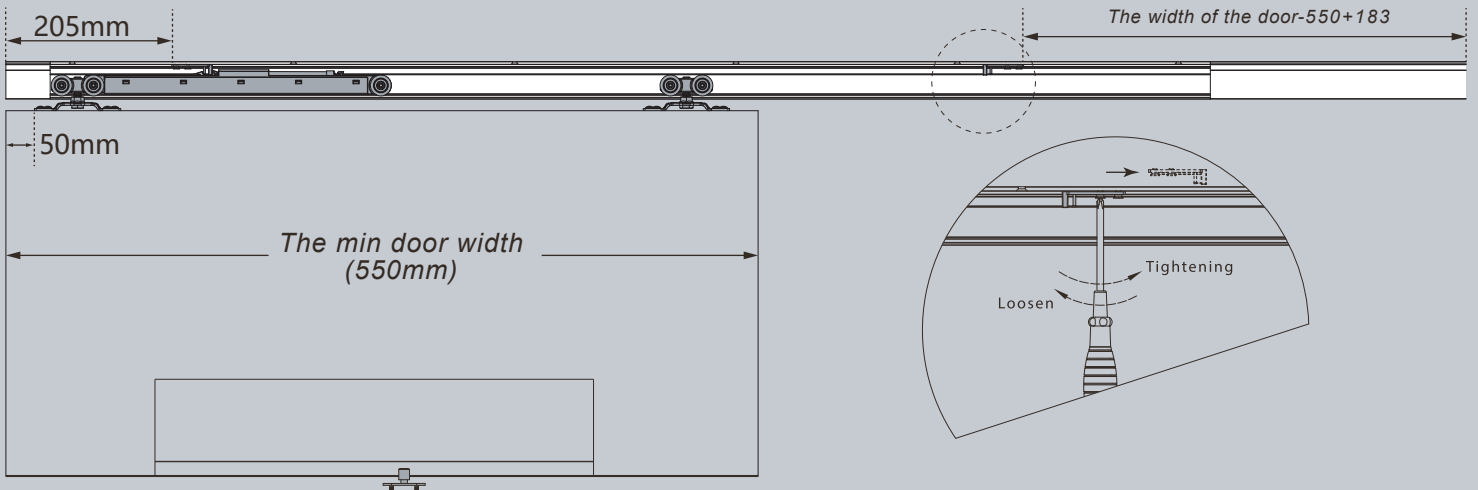


If bottom U-channel is used. To be bought separately #28.25.055

Without bottom U-channel



Adjust the door leaf up and down



The position of floor guide

Adjust the position of actuator