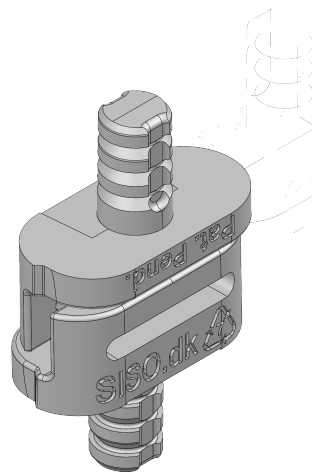
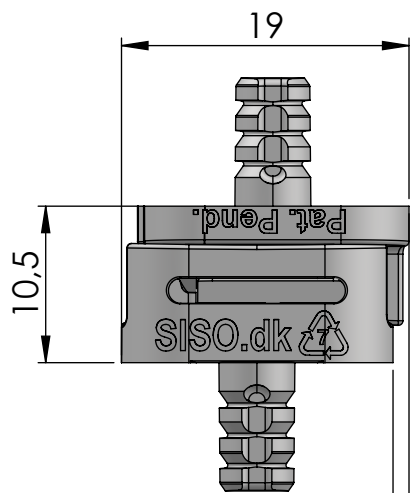
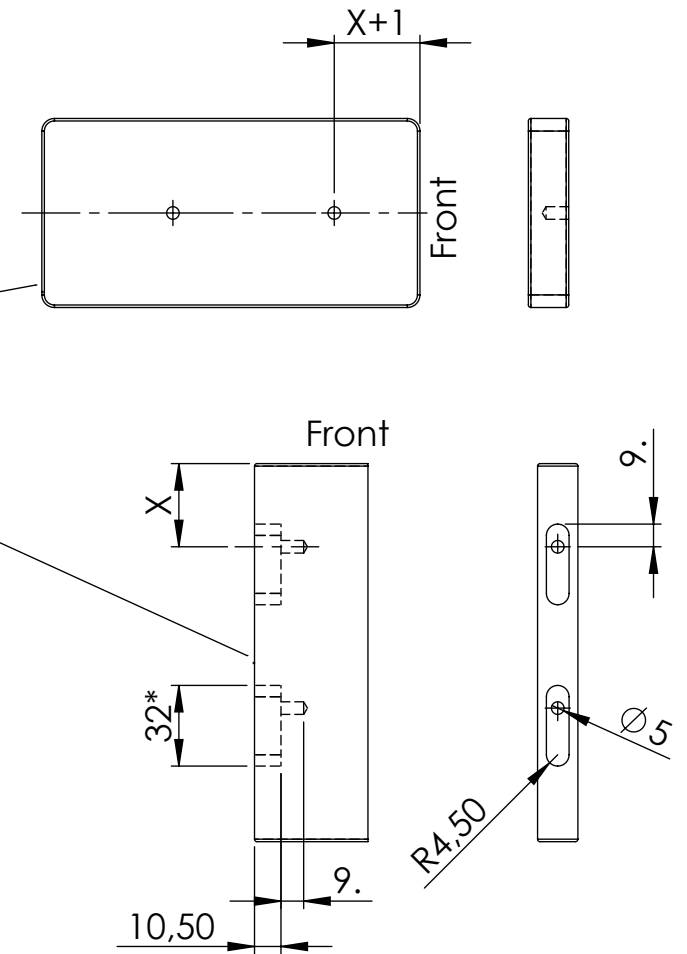
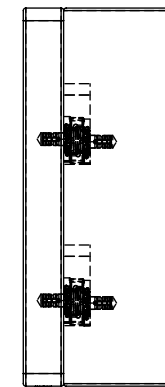
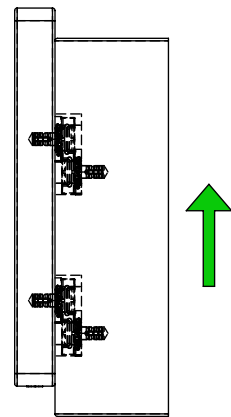
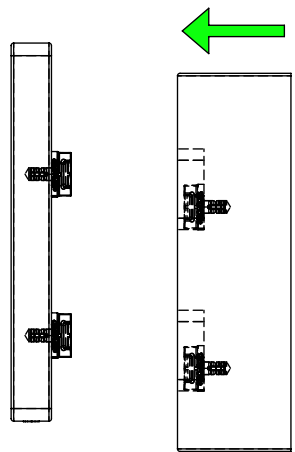
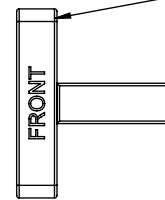
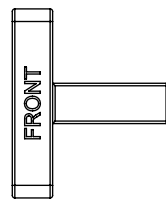
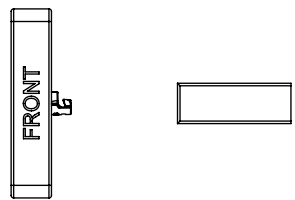
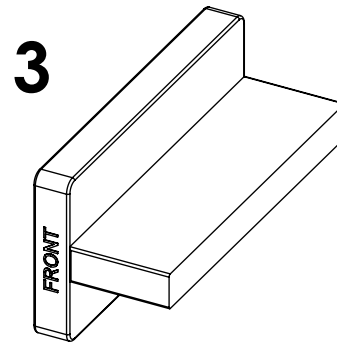
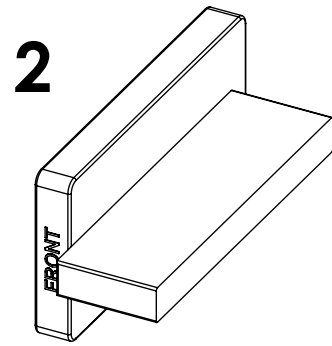
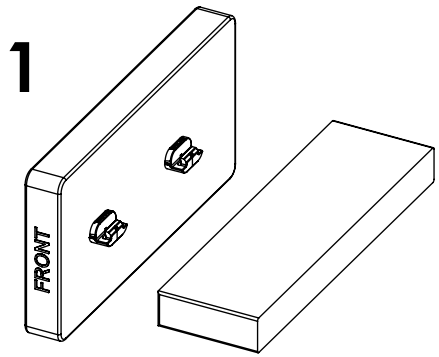


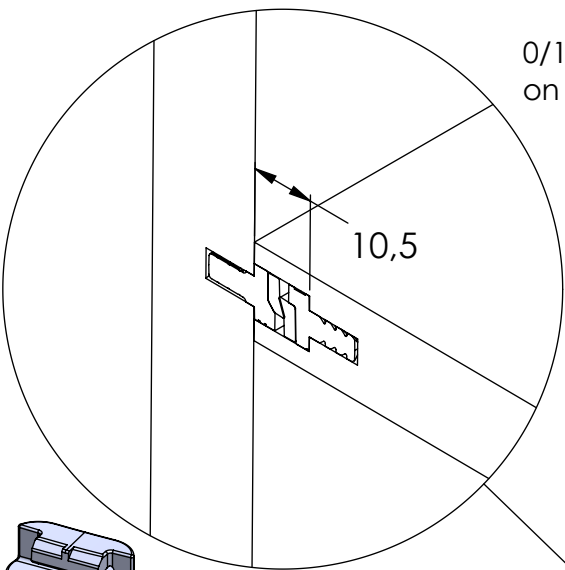
Notice: Orientation cut pointing in the same direction.



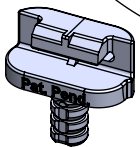
1 mm. fully engaged



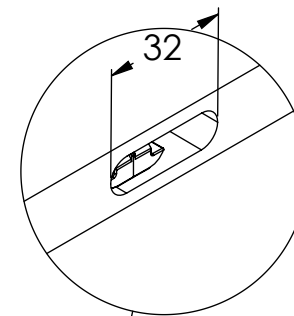
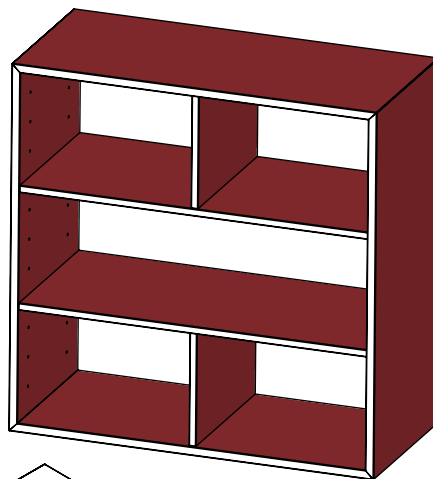
* = Recommended
Measurements in mm.



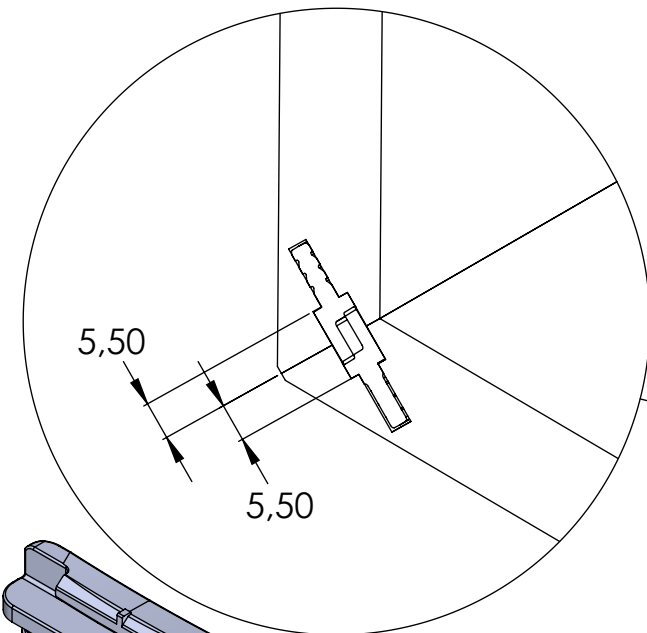
0/100 Installation
on a 90° connection.



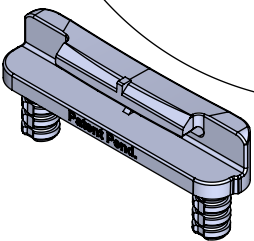
Temari



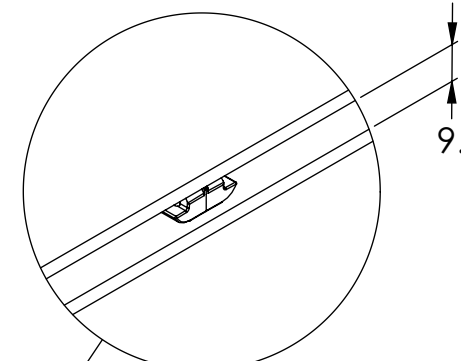
Pocket groove illustrated



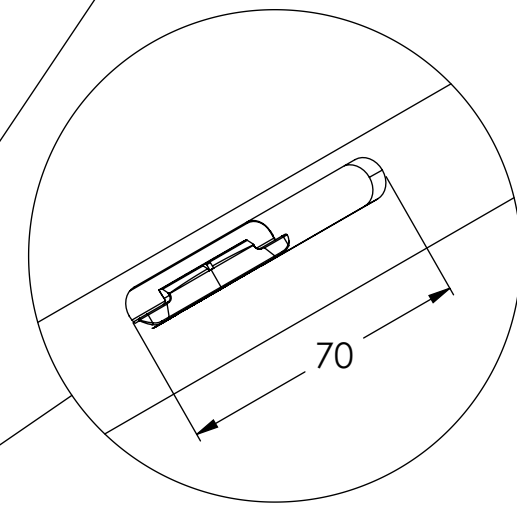
50/50 Installation
on a 45° corner connection.



Maki



One stop groove illustrated



Pocket groove shown on a 45° corner

