

Invisible Mifare1 Lock (13,56MHz)

General operation steps to the lock

How to reset lock. How to change and set working mode on the lock. How to program and delete cards and key fobs.

Programming functions on the lock

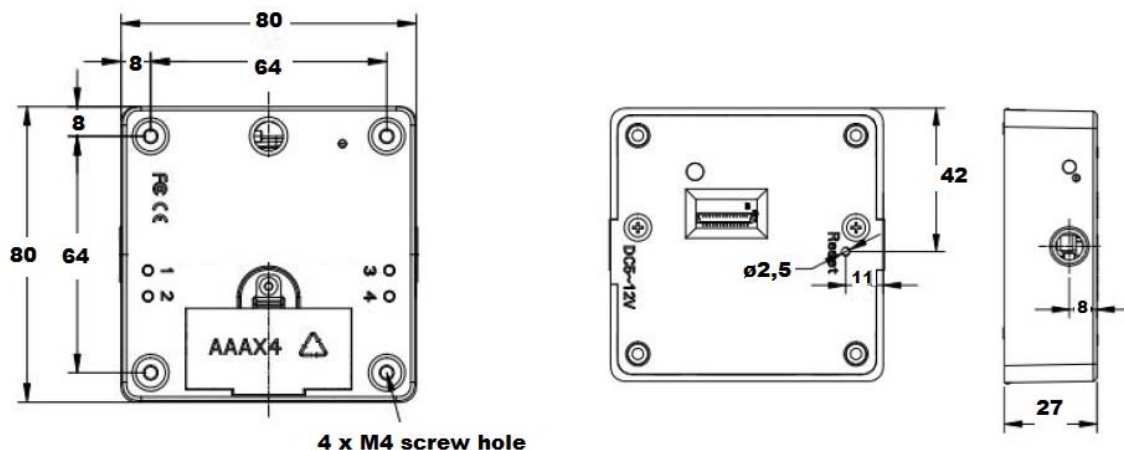
Button 1: For programming a “Master” card

Button 2: For programming a “Delete” card

Button 3: For changing the working mode of the lock. Factory setting is public mode & single key. (Public mode - beep; private mode – beep-beep; office mode – beep-beep-beep)

Button 4: For changing unlocking way (single key mode or double key mode, which means you need 2 people/users/keys to open a lock).

Reset button: To reset lock keep pressing “Reset” button for 2 seconds. The lock will prompt a “beep-beep-beep” and flash green twice. Lock has been reset. After resetting, the lock will go back be factory setting (public mode) and all cards will be invalid.



1.0. Cards & Key Fobs

1.1. Master Cards

The Master Card is for setting the User Key Fobs and Service Cards. In public mode it may also be used for opening the lock for emergency.

To program a Master Card you keep pressing button “1” for 2 seconds. The lock will keep flashing in green. Swipe an empty card. This card will be your Master Card. One lock can have max. 10 Master Cards programmed.

To use the Master Card you swipe the card on lock. The lock will keep flashing in green. Then you swipe any empty Key Fob. These will be the User Keys Fobs.

1.2. Delete Card

Delete Card is for deleting User Key Fobs.

To program a Delete Card you keep pressing button “2” for 2 seconds. The lock will keep flashing in green. Swipe an empty card. This card will be your Delete Card. One lock can have max. 10 Delete Cards programmed.

To use the Delete Card you swipe the card on the lock. The lock will flash in green and prompt a “beep”. All User Key Fobs are now deleted

1.3. User Key Fob

User Key Fob is for unlocking.

To program User Key Fob you Swipe the Master Card one time. The lock will keep flashing in green. Swipe an empty Key Fob. This will be the User Key Fob. One lock can have max. 30 User Key Fobs programmed.

To use the User Key Fob you swipe the User Key Fob on the programmed lock. The lock will open.

1.4. Service Card (Double key mode ONLY)

Service Card is for unlocking the lock in combination with a User Key Fob. Means you need 2 persons to open the lock. Ideal if extra security is needed.

To program a Service Card you swipe the Master Card twice. The lock will prompt a “beep” and flash slowly green. Swipe an empty card. If the lock prompts a “beep” and the light keeps green for 1 sec., the Service Card has been programmed successfully. If the lock prompts “beep-beep” and shine red, the programming failed.

To use the Service Card you swipe the Service Card on the programmed lock. Right after you swipe the User Key Fob on the lock. The lock will then open.

Working modes & settings

2.0. Public mode (Factory setting)

2.1. Application

Public mode is suitable for public applications, such as supermarket storage lockers, gym lockers, library lockers, sauna lockers etc.

2.2. User operation steps

In public mode the lock is always in unlocked position. Swipe any Key Fob and the latch inside the lock will be activated. Then you slam the door. If you do not slam the door, the latch inside the lock will open automatically after 5 sec. and a new user can take over the lock. The lock can only be unlocked by the same Key Fob. Under this mode, Master Card can unlock any lock.

2.3. Set the lock in Public mode

Keep pressing button 3. The lock will prompt with a “beep” and green light will flash. The lock is now in public mode.

2.4. Cards in public mode

Master Card and Service Card must be programmed in advance (See 1.1). No need of programming User Key Fobs under public mode. The Master Card can open the lock if the user goes home without opening the locker.

3.0. Private mode

3.1. Application

Private mode is suitable for private applications, such as personal storage lockers, office lockers, mailboxes, personal drawers etc.

3.2. User operation steps

In private mode the lock is always in locked position. Swipe the User Key Fob to open the lock. After you open the lock, it will automatically lock again after 3 sec. If you do not close the door and the lock catches the door striker, an alarm will start after 30 sec. The alarm will stop when you close the door. If the user loses the User Key Fob, he may swipe the Delete Card and thereby delete the user Key Fob. If more Key Fobs are programmed into the same lock, they will also be deleted. You cannot only delete one Key Fob per time.

3.3. Set the lock in Private mode

Keep pressing button 3. The lock will prompt a “beep-beep” and a green light will flash. The lock is now in private mode.

3.4. Cards and Key Fobs in Private mode

Master Card, Delete Card, Service Card and User Key Fobs must be programmed in advance. Only User Key Fobs and Service Card can open the lock.

4.0. Office mode

4.1. Application

Office mode is suitable for office cabinet/drawer etc. It's like private mode but the lock does NOT close automatically. You need to swipe the User Key Fob to open but ALSO swipe to close the lock. Ideal for the worker who frequently uses his cabinet/drawer during the day. He just needs to swipe his Key Fob in morning to open the lock and swipe the Key Fob to close the lock when he leaves work.

4.2. User operation steps

Open the lock: User swipes the User Key Fob.

Close the lock: User swipes the User Key Fob and then pushes/slams the door to close it.

If the user loses his User Key Fob, he can swipe the Delete card to delete all user Key Fobs.

3.6.3. Set the lock in Office mode

Keep pressing button 3. The lock will prompt a "beep-beep-beep" and a green light will flash. The lock is now in office mode.

3.6.4. Cards in Office mode

Master Card, Delete Card, Service Card and User Key Fobs must be set in advance. Only User Key Fobs and Service Card can open the lock.