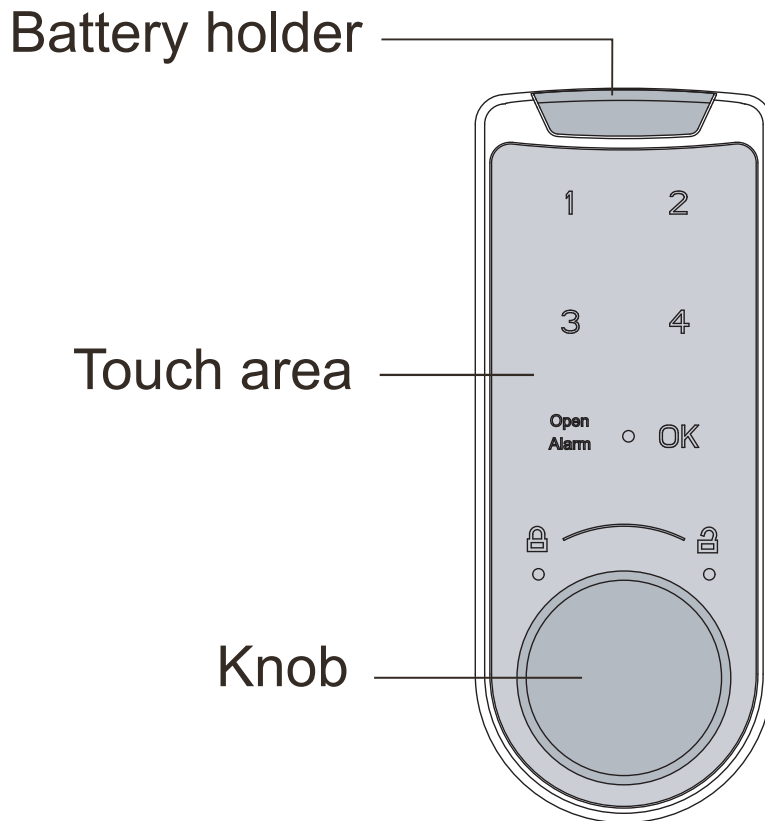


ELECTRONIC COMBINATION CAM LOCK "MARC II" PUBLIC/PRIVATE



-high quality furniture fittings

Product Introduction

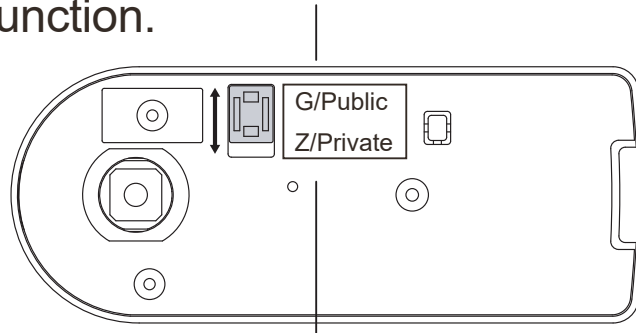


- Smart touch screen, high-end experience.
- User code can be 1 to 8 digits in length, 100000 of possible combination.
- The password is set and changed by the user, and it is automatically saved when the power is off, and the code will never be dropped and garbled.

Public and private switchover

(the password will be restored to the factory password after switching)

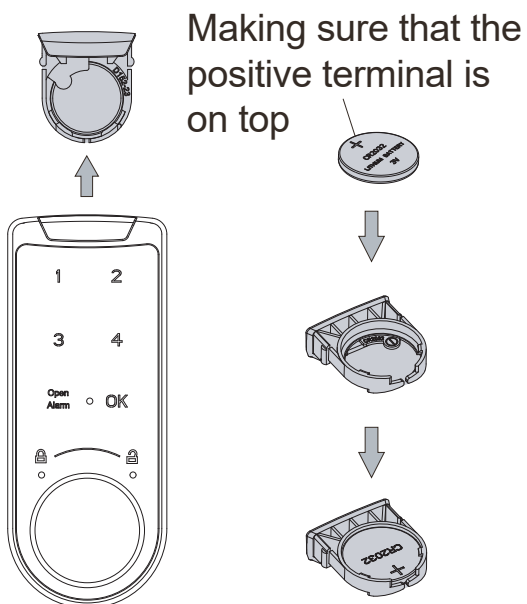
This small plastic slider moves to the up “G” position, switches to a public function.



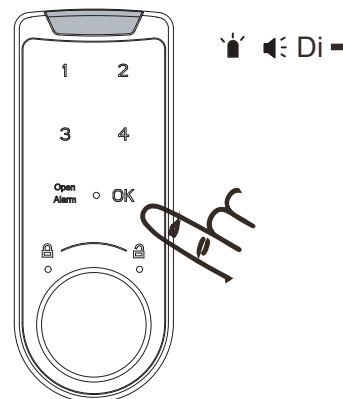
Moves to the down “Z” position to a private function.

Install the battery

1. Push the battery holder upwards and insert the battery.



2. Insert the battery holder, press any button to have an audible and visual prompt, it proves installation correct.

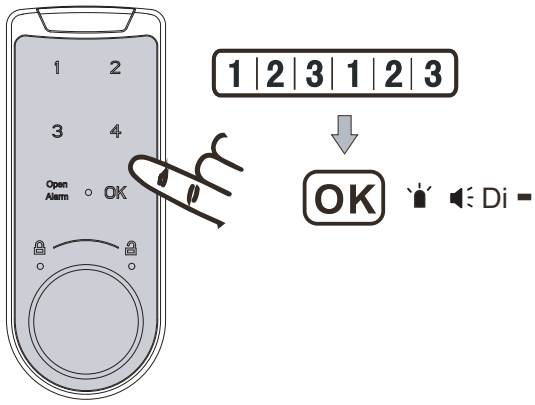



How to use the private mode

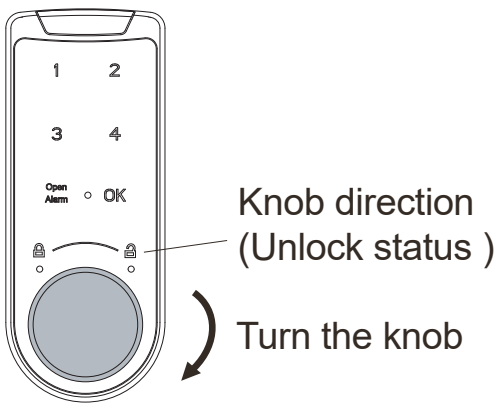
The password is valid for a long time, and the old password can be changed, which is suitable for private use.

1). Factory default password (The factory default password is 123123)

1. Enter the factory password, press the OK button again, and hear a long beep.

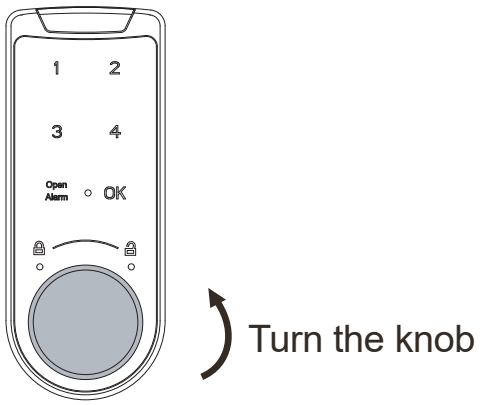



2. Turn the knob to the  position and the unlock is successful.

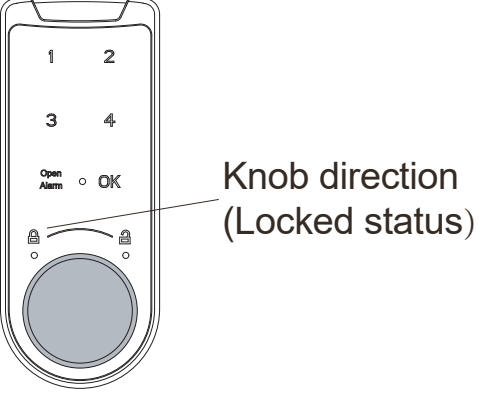


2). Locked

1. Turn the knob counterclockwise.

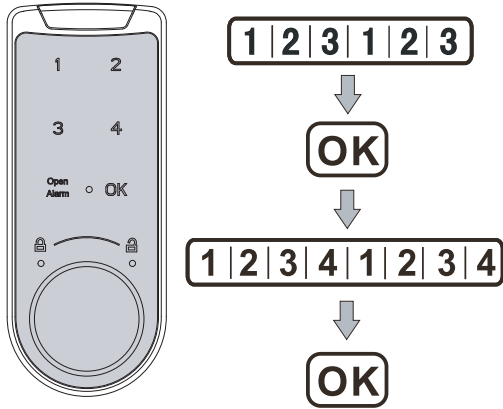


2. The knob returned to  position and the lock was successful.



3). Change password (1-8 digit passcode can be set) Example: Change the factory password to "12341234"



Operation method: old password + long press for 3 seconds OK + new password + OK + new password (must be the same as the first time) + OK ----- the code is changed successfully.



How to use the public mode

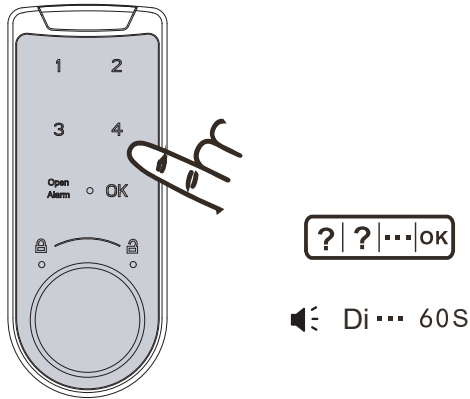
Public mode is one-time password, user code will be overridden after unlocking. Which is suitable for public area.

The factory default password is "123123", pls follow the instructions below:

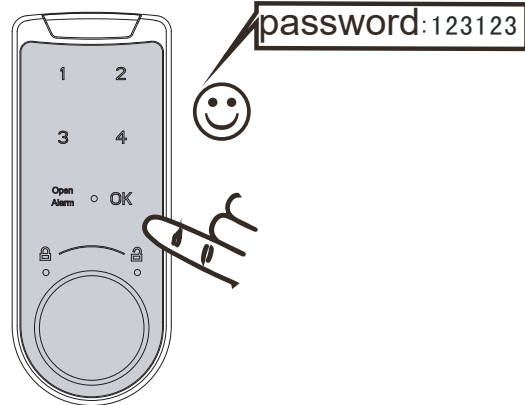
- 1 ➤ Open the door and deposit the items
- 2 ➤ Close the door
➤ Set a 6-digit password
➤ Turn the knob to the  position
- 3 ➤ Enter the same 6-digit as previous setting code
➤ Turn the knob to the  position
➤ Open the door to pick up the object

Alarm function

1. If the user enter the wrong password 4 times in a row, it will call an alarm for 60 seconds.

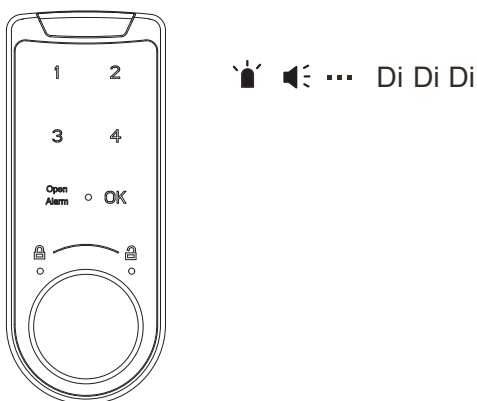


2. Enter the correct password to dismiss the alarm.

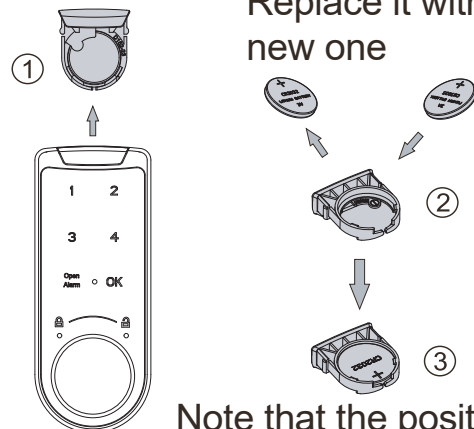


Replace the battery

1. After unlocking, if there are three "Dididi" sounds, it means that the battery is insufficient, please replace the battery.



2. Replace the battery as shown in steps 1-2-3 below.



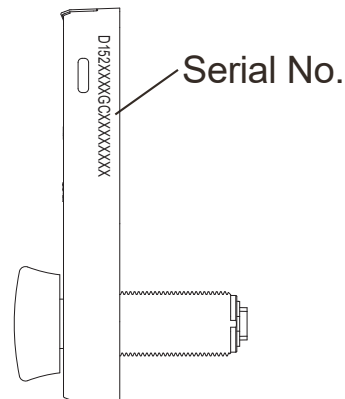
Note that the positive pole of the battery is on top

⚠ Prompt

This lock uses a button battery (Model: CR2032 3V), the battery can generally be used for 1 year when fully power, when the power is insufficient, it will emit three prompt tones of "Di, di, di" when unlocking, please replace the battery as soon as possible.

Reset (Emergency Decoding)

In case users forgot the code, they can apply decoding service from supplier through lock Serial No., getting the master code to restore factory default setting.



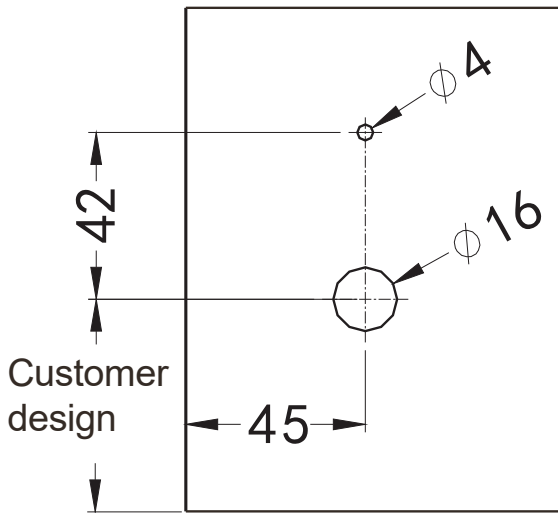
FAQ

| Fault phenomenon | The main reason | Solution |
|---|--|---|
| After entering the password, you hear "Didi." two sounds, can't be unlocked | Wrong password | Reference Reset (Emergency Decoding) |
| Once you've entered the correct password, you hear "Di,di, di." three sounds can't be unlocked. | The battery is low | Please replace the battery |
| Enter the password correctly, and beep a long tone the lock cannot be unlocked | The knob is not in the normal locking position | Turn the knob back to the normal locking position |

Installation Instructions

Left opening

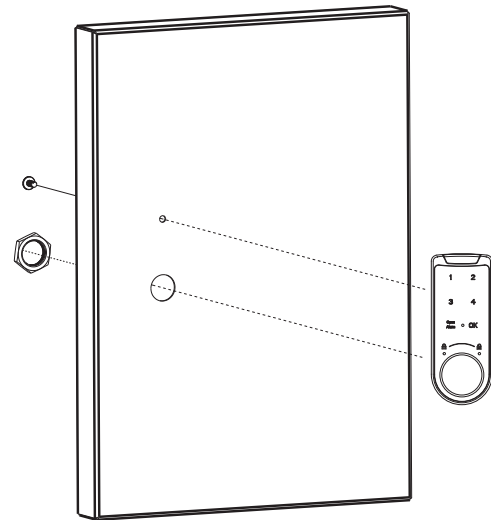
1. Drill holes



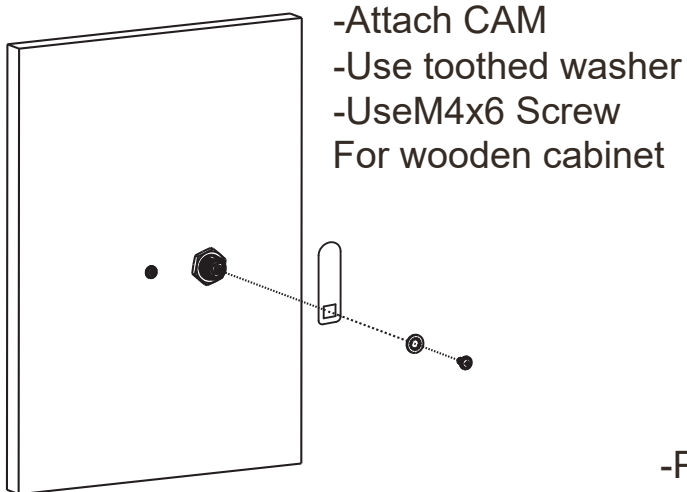
2. Install lock with supplied hardware

-M3.5 flanged screw

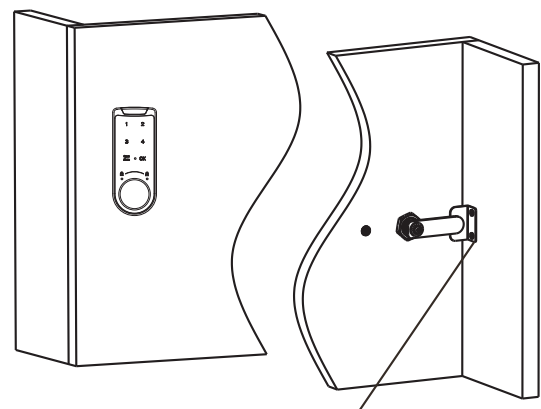
-1 Large nut



3. Install supplied CAM and screws

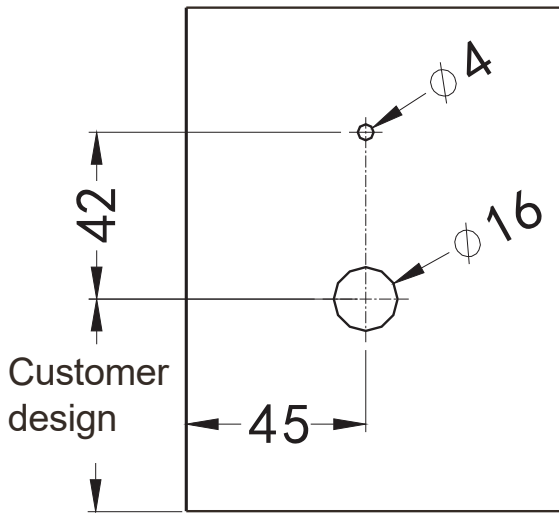


4. Install L-type strike plate using supplied screws



Right opening

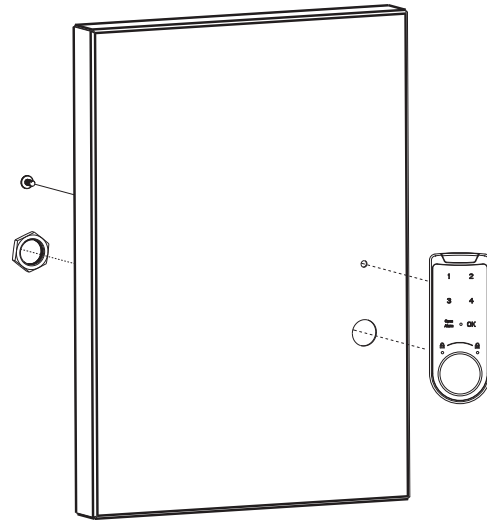
1. Drill holes



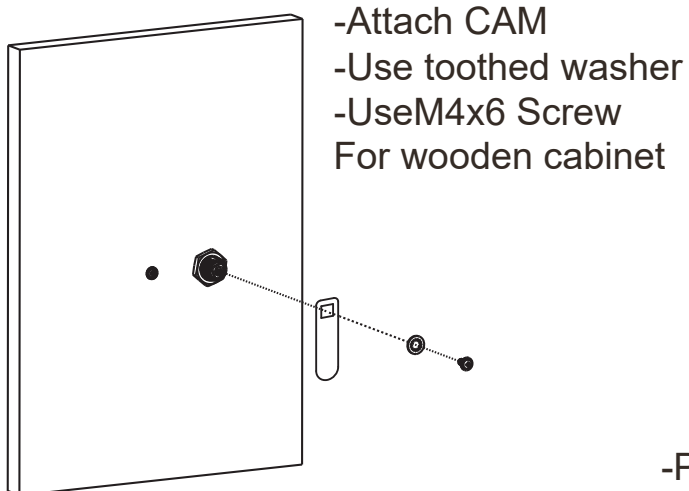
2. Install lock with supplied hardware

-M3.5 flanged screw

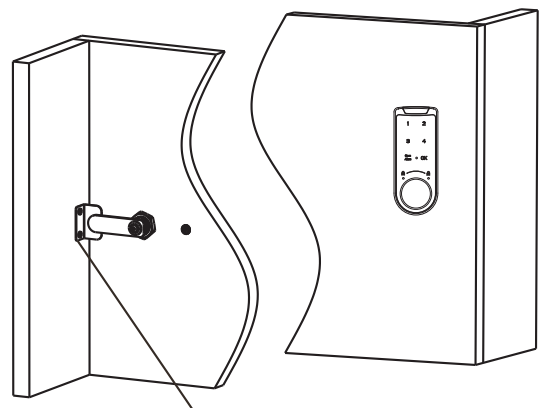
-1 Large nut



3. Install supplied CAM and screws



4. Install L-type strike plate using supplied screws



-Place L-Type strike plate in correct location

-Use 2 M3.5x10 self tapping screws

Lock size (mm)

